



# ELANE

## Electronic Postage Computing Scale PS 3000 W with optional RS232 interface

# USER MANUAL

Range 5000 gram  
Resolution 1 gram

Product and Service Information:  
Internet: <http://www.elane.com.au>

### SOFTWARE COPYRIGHT AND LICENSE CONDITIONS

Please read this agreement carefully before using the program. By using the new ELANE data chip, you agree to abide by these terms and applicable copyright laws. If you do not agree, promptly notify the provider of the program and request a refund of the amount you paid.

The program is owned by ELANE ELECTRONICS (AUSTRALIA) Pty. Ltd. and is licensed to the purchaser of the program, not sold.

ELANE grants the purchaser the nonexclusive license for the program.

#### LICENSE:

Under this license you may use the program on one unit PS3000 and may transfer all of your license rights to another party in case of sale or transfer of the complete PS3000 unit.

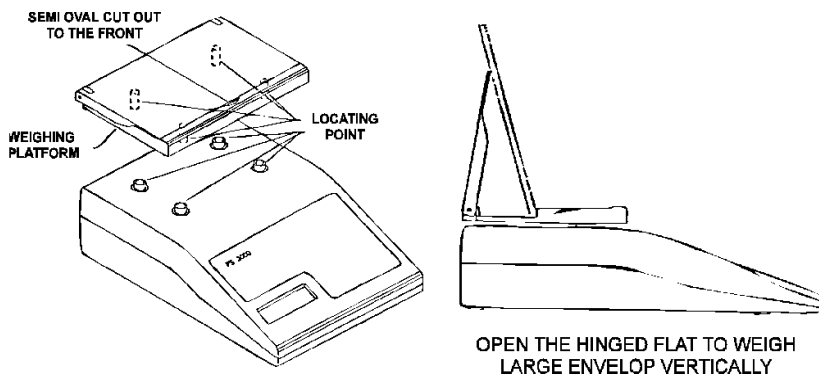
You may not:

- 1.) use, copy, merge, or transfer the program except as provided in this agreement.
- 2.) reverse assemble, reverse compile, or otherwise translate the program
- 3.) sublicense, rent or lease the program

#### Limitation of Liability:

ELANE will not be liable for any lost profits, lost savings, incidental, special or indirect damages or other economic consequential damages during the use of the PS3000 and its program.

## FITTING THE WEIGHT PLATFORM TO THE SCALE



- (i) Gently fit the weighing platform to the body of the scale via the location points. Make sure that the semi-oval recess faces the front (keyboard) end of the scale. Do not press hard or use force.
- (ii) Plug the mains adapter supplied with the scale into the mains and connect the adapter's output plug to the input socket at the rear of the scale.
- (iii) Place the scale on a firm level surface. Switch on the mains supply.

## PS3000W KEYBOARD FUNCTIONS & INSTRUCTIONS

### 1) ON

Press "ON" key to turn the scale on. The status of the auto-off will be displayed. Press "ON" key again until you hear beep sound if you wish to change the status of auto-off. Otherwise, press any key. Scale will carry out a self-test, then display zero gram.

### 2) OFF

Pressing this to turn the scale off.

### 3) ZERO

Pressing this key to set the display value to zero permanently.

### 4) G/Oz

Pressing this key to toggle display between gram and oz.

### 5) TARE

Press this key when you want to offset any article used as a container to zero reading. Place item and equivalent weight will be displayed. Press tare again and the combined weight of the container plus the item will be displayed.

### 6) COUNT

Pressing this key will count the number of items placed on the platform.

#### Steps to operate the count feature:

#### PRESS COUNT KEY

Scale requests user to place ten items on the scale for accuracy purpose

Put ten pieces of item to be counted on the scale

- 1) Press count button only, when weight stable or
- 2) Press off key to turn scale off

Now put unknown amount on the scale and scale will display the Unknown amount  
Continue using the scale to find unknown amounts of the same item, or:

- 1) Press count key to exit count function or
- 2) Press off key to turn off scale

\*\*\*\*\*

#### PC software Interface Setup Info:

To Start at the first time, the program will ask the user to make a working directory for the user database files, and the user type the directory name and click the button "OK" to create the directory or chose "Cancel" button not to create directories. Make sure to enter the directory, or else the programs generate a incorrect setup info in "p5000.ini" initialization file in windows directory. You may delete or edit the ini file to reenter the path.

Make a new database file: From the file menu click New, then enter the filename with or w/out filename extension ".mdb".

Open existing files: From the file menu click Open, then chose through the existing files.

## SPECIFICATIONS

Capacity	: 5000 grams. (plus 1500g. of Tare)
Accuracy	: 1 gram
Power Supply	: 12 to 15 volts AC/DC adapter
Power Consumption	: Approx. 400 mW
Auto-OFF	: After 5 minutes when no weight change or no key pressed.
Tare	: 1500 grams
Minimum Weight	: 2 grams
Minimum add weight	: 1 gram

16 Characters + 1 line LCD display

Dimensions/Weight	: Overall - 11" x 7 <sup>3</sup> / <sub>4</sub> " x 3 <sup>1</sup> / <sub>2</sub> "
Platform	: 5" x 7 <sup>1</sup> / <sub>2</sub> " (Opens for flats)
Unit Weight	: 1676 grams
Packaged Weight	: 1733 grams.

Service : ELANE Electronics (Australia) Pty. Ltd.  
P.O. Box 186  
Helensvale QLD 4212  
Tel: 07-5529-6621 Fax: 07-5529-8843  
Internet email: [support@elane.com.au](mailto:support@elane.com.au)  
Internet Information: <http://www.elane.com.au>

## SERVICE

If you require service of your ELANE PS3000, please send the scale with all accessories postage paid with a cheque or money order in the amount of A\$75.00 to ELANE and ELANE will replace your scale with a similar model in excellent condition with one week of receipt of your defective scale. This service fee includes all repairs and calibration and return postage, but does not include the cost of replacement of missing parts. The replacement scale will carry a 90 day warranty or will extend your original warranty by 90 days.

PLEASE REFER TO CALIBRATION INSTRUCTIONS ON THE INTERNET at address <http://www.elane.com.au>