



User's Manual

PS 3000N Malaysia
Electronic Postage Computing Scale

INTRODUCTION

The PS 3000N Electronic Postage Computing Scale is an electronic compendium of postal services that incorporates and displays the cost of virtually all basic and supplementary postal services. It is graduated in 1 gram steps throughout its 5000 gram capacity and displays the weight of any item placed on its weighing platform together with the service(s) selected and total postage cost.

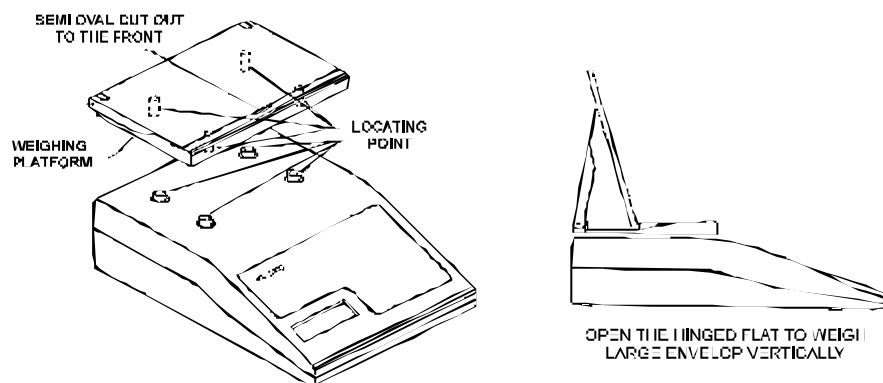
All countries world-wide are programmed into the PS 3000N's database therefore it is not necessary to refer to other lists and postal regulations. Simply key the name of the country into the scale via the alpha-numeric multi-function keyboard and the scale will automatically display the postage rates applicable to that country.

The PS 3000N is so powerful and versatile that in addition to postal rates, it also contains the International Dialing Code for Telephone and Fax from Malaysia to any country in the world.

Specifications:

Capacity	: 5000 grams
Graduation/Resolution	: 1 gram steps
Accuracy	: +/- 0.5% or 1 gram (the greater of)
Power Supply	: Mains via 9 volt Mains Adapter
Power consumption	: Approx. 1.3 watts
Tare	: 1500 grams

FITTING THE WEIGHING PLATFORM TO THE SCALE



PREPARING THE PS3000N FOR USE

- (i) Fit the weighing platform to the body of the scale via the location points, making sure that the semi-oval recess faces the front (keyboard) end of the scale.
- (ii) Plug the mains adapter supplied with the scale into the mains and connect the adapter's output plug to the input socket at the rear of the scale.
- (iii) Place the scale on a firm level surface, switch on the mains supply and press on the scale the "On/Off/Tare" key.
- (iv) To show your scale's SERIAL NUMBER, press Mel Bedaftar and Singapura dan Brunei keys simultaneously

while scale is going through Self test. The display will read:

Serial Number

XXXXXXXX (this represents the 8-digit serial number of your scale)

Note: The serial number of your scale is important when ordering a new datachip upgrade.

(iv) The display will show "STANDARD, 0gram" and the minimum rate of postage for STANDARD items.

1. Basic Services

STANDARD

The PS 3000N "wakes up" in the domestic standard letter mode when first switched on. If the scale has been used for other services, press the "Standard" key. In instances where the weight of the item exceeds 50g, the scale automatically switches to Non-Standard mode. Standard mail service is only available to domestic destinations.

<i>Press</i>	<i>Display</i>	
	STANDARD	
Standard	20gram	\$0.30

The first line of display confirms the basic services selected and the second line displays the minimum rate of postage for that service.

NON-STANDARD

Maximum weight for this service is 2000 grams. Non-Standard mail service is only available to domestic destinations.

<i>Press</i>	<i>Display</i>	
	NONSTANDARD	
Non Standard	20gram	\$0.50

Note: The maximum weight is 2000 grams. If the weight exceeds 2000 grams, the display will show "Excess Weight" until another basic service is selected or the weight is removed.

The following supplementary services are available for Standard and Non-Standard:

- ? Registered (Mel Berdaftar)
- ? Registered Insured (Insuran)
- ? Advice of Delivery (Pemberitahu Terima)
- ? Enquiry and Services (Pertanyaan Serahan)
- ? Certificate of Posting (Sejil Mengepos Benda)

Pressing the respective keys will automatically add on the additional cost for these services and the total inclusive cost will be shown on the display.

Pressing "CE" key will cancel or clear all selected supplementary services.

POSTCARD

Maximum weight for this service is 20g. This service is available to domestic and local destinations.

<i>Press</i>	<i>Display</i>	
	POSTCARD	
Postcard	20gram	\$0.20
Mel A'Bangsa	POSTCARD I 20gram	\$0.50
Singapura dan Brunei	POSTCARD S 20gram	\$0.50

Pressing Singapura dan Brunei key again will show Postcard rates for Brunei.

Pressing Postcard while a domestic service is active will show the domestic Postcard rates. Pressing it during international service mode will show the overseas/international rates. Pressing Singapura dan Brunei will display Singapore/Brunei rates.

The following supplementary services are available:

- ? Registered (Mel Berdaftar)
- ? Registered Insured (Insuran)
- ? Advice of Delivery (Pemberitahu Terima)
- ? Enquiry and Services (Pertanyaan Serahan)
- ? Certificate of Posting (Sejil Mengepos Benda)

Pressing the respective keys will automatically add on the additional cost for these services and the total inclusive cost will be shown on the display.

Pressing "CE" key will cancel or clear all selected supplementary services.

SURFACE MAIL

This is the mode for international letters. Maximum weight for this service is 2000 grams.

Note: There are 5 zones for Surface Mail (Zones A, B, C, D or E).

<i>Press</i>	<i>Display</i>
	Zon A-E? Cari?
Surface Mail	20gram

(Mel A' Bangsa)

- 1) Pressing "CE" will enable you to cancel this service and go back to your previous service or select Domestic Post.
- 2) Or press "Cari" key to enter the country code or search the name of the destination country.
- 3) Or press any of the keys A, B, C, D or E to enter a zone. Example:

<i>Press</i>	<i>Display</i>
	Zon A-E? Cari?
Surface Mail	20gram

Then:

	SURFACE MAIL	ZA
A	20gram	\$1.35

	AIR MAIL	ZA
Mel Udara	20gram	\$0.95

	SURFACE MAIL	ZA
Mel Darat	20gram	\$1.35

	SURFACE MAIL	S
Singapura dan Brunei	20gram	\$1.35

Pressing Singapura dan Brunei key again will show Surface Mail rates for Brunei.

	Zon A-E? Cari?
Surface Mail	20gram

Input another zone or country or press CE key to go back to the previous service and zone.

	Kod Negeri? Cari?
Cari	20gram

Press 1-0-0 (for Abu Dhabi – Zone D)

	SURFACE MAIL	ZD
1-0-0	20gram	\$1.50

Or Press Cari again to search country by name, then

Press A-B-U then Enter key (for Abu Dhabi – Zone D)

	SURFACE MAIL	ZD
A-B-U-Enter	20gram	\$1.50

Pressing Mel A'Bangsa key will ask you to input another zone or country

	Zon A-E? Cari?
Mel A'Bangsa	20gram

Input another zone or country or press CE key to go back to the previous service and zone.

AIR MAIL

This is the mode for international letters. Maximum weight for this service is 2000 grams.

Note: There are 5 zones for Air Mail (Zones A, B, C, D or E).

<i>Press</i>	<i>Display</i>
	Zon A-E? Cari?
Air Mail	20gram

(Mel A'Bangsa)

- 1) Pressing "CE" will enable you to cancel this service and go back to your previous service or select Domestic Post.
- 2) Or press "Cari" key to enter the country code or name of the destination country.
- 3) Or press any of the keys A, B, C, D or E to enter a zone. Example:

<i>Press</i>	<i>Display</i>
	AIR MAIL ZA
A	20gram \$0.90

Mel Darat	SURFACE MAIL	ZA
	20gram	\$1.35

Mel Udara	AIR MAIL	ZA
	20gram	\$0.90

Singapura dan Brunei	AIR MAIL	S
	20gram	\$0.90

Pressing Singapura dan Brunei key again will show Air Mail rates for Brunei.

	Zon A-E? Cari?
Air Mail	20gram

Input another zone or country or press CE key to go back to the previous service and zone.

	Kod Negeri?Cari?
Cari	20gram

Press 1-0-0 (for Abu Dhabi – Zone D)

	AIR MAIL	ZD
1-0-0	20gram	\$1.50

Or Press Cari again to search country by name, then

Press A-B-U then Enter key (for Abu Dhabi – Zone D)

	AIR MAIL	ZD
A-B-U-Enter	20gram	\$1.50

Pressing Mel A'Bangsa key will ask you to input another zone or country

	Zon A - E? Cari?
Mel A'Bangsa	20gram

Input another zone or country or press CE key to go back to the previous service and zone.

The following supplementary services are available for Surface and Air Mail services.

- ? Registered (Mel Berdaftar)
- ? Registered Insured (Insuran)
- ? Advice of Delivery (Pemberitahu Terima)
- ? Enquiry and Services (Pertanyaan Serahan)
- ? Certificate of Posting (Sejil Mengepos Benda)

Pressing the respective keys will automatically add on the additional cost for these services and the total inclusive cost will be shown on the display.

Pressing "CE" key will cancel or clear all selected supplementary services.

PERIODICAL

This service is available only to domestic destinations. Maximum weight is 250 grams.

<i>Press</i>	<i>Display</i>
	PERIODICAL
Periodical	20gram \$0.25

The following supplementary services are available for periodical:

- ? Registered (Mel Berdaftar)
- ? Registered Insured (Insuran)
- ? Advice of Delivery (Pemberitahu Terima)
- ? Enquiry and Services (Pertanyaan Serahan)
- ? Certificate of Posting (Sejil Mengepos Benda)

Pressing the respective keys will automatically add on the additional cost for these services and the total inclusive cost will be shown on the display.

Pressing "CE" key will cancel or clear all selected supplementary services.

SURFACE PARCEL

While in a domestic service, pressing this key activates the local surface parcel rates. Pressing it while in an international service activates international surface parcel rates.

Examples for Surface Parcel:

While in a domestic service:

<i>Press</i>	<i>Display</i>
	SURF. PARCEL
Surface Parcel	20gram \$2.50
	SURF. PARCEL S
Singapura dan Brunei	20gram \$15.90

Pressing Singapura dan Brunei key again will show Surface Parcel rates for Brunei.

	Kod Negeri?Cari?
Mel A'Bangsa	20gram

Input country code or search country by name or press CE key to go back to the previous service.

While in an international service:

<i>Press</i>	<i>Display</i>
	Kod negeri?Cari?
Surface Parcel	20gram

Input country code or search country by name or press CE key to go back to the previous service.

	SURF. PARCEL
Mel Dalam Negeri	20gram \$2.50

While in an international service where destination country is Singapore:

<i>Press</i>	<i>Display</i>
	SURF. PARCEL S
Surface Parcel	20gram \$15.90

Pressing Singapura dan Brunei key again will show Surface Parcel rates for Brunei.

- 1) Pressing "CE" key will enable you to cancel this service and go back to your previous service or select Domestic Post.
- 2) Or press "Cari" key to enter the country code or name of the destination country.

Example:

<i>Press</i>	<i>Display</i>
	Kod Negeri?Cari?
Cari	20gram

Press "Cari" key to enter country name (or first few letters of the country's name)

<i>Press</i>	<i>Display</i>
A-U-S	Enter NEGERI
	AUS

- 3) Press "Enter" key to confirm entry. Australia (which is first on the list for countries starting with AUS) will be shown.

<i>Press</i>	<i>Display</i>
	AUSTRALIA
Enter	c130 E Zone C

<i>Press</i>	<i>Display</i>
	SURF. PARCEL 130
Enter	200gram \$26.10

4) Press 'Mel A'Bangsa' key to input another country or press 'Mel Dalam Negeri' key to switch to parcel domestic services.

<i>Press</i>	<i>Display</i>
	Kod Negeri?Cari?
Mel A'Bangsa	20gram

Input country code or search country by name or press CE key to go back to the previous service.

	SURF. PARCEL
Mel Dalam Negeri	20gram \$2.50

AIR PARCEL

While in a domestic service, pressing this key activates the local air parcel rates. Pressing it while in an international service activates international air parcel rates.

Examples for Air Parcel:

While in a domestic service:

<i>Press</i>	<i>Display</i>
	AIR PARCEL
Air Parcel	20gram \$4.00
	AIR PARCEL S
Singapura dan Brunei	20gram \$16.50

Pressing Singapura dan Brunei key again will show Air Parcel rates for Brunei.

	Kod Negeri?Cari?
Mel A'Bangsa	20gram

Input country code or search country by name or press CE key to go back to the previous service.

While in an international service:

<i>Press</i>	<i>Display</i>
	Kod negeri?Cari?
Air Parcel	20gram

Input country code or search country by name or press CE key to go back to the previous service.

	AIR PARCEL
Mel Dalam Negeri	20gram \$4.00

While in an international service where destination country is Singapore:

<i>Press</i>	<i>Display</i>
	AIR PARCEL S
Air Parcel	20gram \$16.50

Pressing Singapura dan Brunei key again will show Air Parcel rates for Brunei.

1) Pressing "CE" key will enable you to cancel this service and go back to your previous service or select Domestic Post.

2) Or press "Cari" key to enter the country code or name of the destination country.

Example:

<i>Press</i>	<i>Display</i>
	Kod Negeri?Cari?
Cari	20gram

Press "Cari" key to enter country name (or first few letters of the country's name)

<i>Press</i>	<i>Display</i>
A-U-S	Enter NEGERI AUS

3) Press "Enter" key to confirm entry. Australia (which is first on the list for countries starting with AUS) will be shown.

<i>Press</i>	<i>Display</i>
	AUSTRALIA
Enter	c130 E Zone C
<i>Press</i>	<i>Display</i>
	AIR PARCEL 130
Enter	200gram \$29.10

4) Press "Mel A'Bangsa" key to input another country or press "Mel Dalam Negeri" key to switch to parcel domestic services.

<i>Press</i>	<i>Display</i>
	Kod Negeri?Cari?
Mel A'Bangsa	20gram

Input country code or search country by name or press CE key to go back to the previous service.

	AIR PARCEL
Mel Dalam Negeri	20gram \$2.50

The following supplementary services are available for Surface and Air Parcel services:

- ? Registered (Mel Berdaftar)
- ? Registered Insured (Insuran)
- ? Advice of Delivery (Pemberitahu Terima)
- ? Enquiry and Services (Pertanyaan Serahan)
- ? Special Delivery (Serahan Khas) – for domestic services only
- ? Certificate of Posting (Sejil Mengepos Benda)

Pressing the respective keys will automatically add on the additional cost for these services and the total inclusive cost will be shown on the display.

Pressing "CE" key will cancel or clear all selected supplementary services.

POSLAJU

This service is available for domestic and international destinations. There are five zones for domestic destinations (Zones 1-5) and you can press keys 1, 2, 3, 4, or 5 to select a corresponding domestic zone.

While in a domestic service:

<i>Press</i>	<i>Display</i>
	POSLAJU Zone 1
Poslaju	200gram \$3.50

While in Poslaju domestic service:

<i>Press</i>	<i>Display</i>	
1	POSLAJU 200gram	Zone 1 \$3.50
2	POSLAJU 200gram	Zone 2 \$4.50
3	POSLAJU 200gram	Zone 3 \$6.00
4	POSLAJU 200gram	Zone 4 \$6.50
5	POSLAJU 200gram	Zone 5 \$7.00
Singapura dan Brunei	POSLAJU 20gram	S \$15.00

Pressing Singapura dan Brunei key again will show Poslaju rates for Brunei.

Mel A'Bangsa	Kod Negeri?Cari? 200gram
---------------------	-----------------------------

Input country code or search country by name or press CE key to go back to the previous service.

While in an international service:

<i>Press</i>	<i>Display</i>
Poslaju	Kod Negeri?Cari? 200gram

Input country code or search country by name or press CE key to go back to the previous service.

While in Poslaju international service:

<i>Press</i>	<i>Display</i>
Poslaju	Kod Negeri?Cari? 200gram

Input country code or search country by name or press CE key to go back to the previous service.

Mel A'Bangsa	Kod Negeri?Cari? 200gram
---------------------	-----------------------------

Input country code or search country by name or press CE key to go back to the previous service.

Mel Dalam Negeri	POSLAJU 200gram	Zone 1 \$3.50
-------------------------	--------------------	------------------

Singapura dan Brunei	POSLAJU 20gram	S'pore \$15.00
-----------------------------	-------------------	-------------------

Pressing Singapura dan Brunei key again will show Poslaju rates for Brunei.

- 1) While in Poslaju domestic service, press keys 1 to 5 to switch to another zone.
- 2) Pressing "CE" key while scale is asking for input will enable you to cancel this service and go back to your previous service or select Domestic Post.
- 3) Or press "Cari" key to enter the country code or name of the destination country.

There are no available supplementary services for Poslaju.

2. Supplementary Services

The following supplementary services are available in the PS 3000N Malaysia.

1. Registered (Mel Berdaftar)
Registered is available to all basic services except Poslaju services. Rates applied are according to local or international destinations.
2. Registered Insurance
Registered insurance is available to all basic services except Poslaju services. The fee for registered insurance is \$1.50 for every \$100.00 and the maximum insurance value is up to \$3,000.00. Registered fee is automatically added to the insurance fee. Press "Insuran" key and enter the amount for insurance.

Example:

When in Standard mail service:

<i>Press</i>	<i>Display</i>
	Insurans?

Insuran	20gram
----------------	--------

To input \$100.00 as the insurance amount, press:

<i>Press</i>	<i>Display</i>
1-0-0	Insurans? 100
	20gram

	STD	INS
Enter	20gram	\$3.20

3. Advice of Delivery (Pemberitahu Terima)
This supplementary service is available to all basic services except Poslaju and only if Registered or Insurance was previously selected. Rates applied are according to local, Singapore or Brunei, or international destinations.
4. Enquiry of Services (Pertanyaan Serahan)
Enquiry of services is available to all basic services except Poslaju and only if Registered or Insurance was previously selected or if the current service is Air Parcel or Surface Parcel (local or international destinations). Rates applied are according to local, Singapore or Brunei, or international destinations.
5. Special Delivery (Serahan Khan)
Special delivery is available to domestic parcels (Air and Surface) only.
6. Certificate of Posting (Sejil Mengepos Benda)
Certificate of posting is available to all basic services except Poslaju.

SPECIAL FUNCTION KEYS

The PS 3000N Malaysia has keys that can be used to activate special functions. This makes the scale more versatile.

Key L (i/7/L)

The letter i stands for "information." It is possible to use a combination of several supplementary services so the scale will show abbreviated messages for supplementary services selected on the display. It is also possible to lose track of the selections mode. Whenever at least one supplementary service has been selected in conjunction with a basic service, pressing the "i" key will cause the scale to display each of the services selected one by one, showing the individual cost of each, and then re-display the total cost. This key can also be used to confirm the name of the Country selected if "Search" option was used and the Country name was input at the time the scale asked for the destination.

Key M (</>/8/M)

The "<>" symbol indicates that this key can be used to disable the audio tone which is emitted when keys are pressed to confirm that the scale has responded to input. The tone can be re-enabled by pressing the same key or switching the scale off and on again.

Key +

The "+" symbol indicates that this key can be used to add fees to the current postage fee. Press "+" key and input the amount to be added to the current postage fee. Press "Enter" key to confirm entry and the postage fee plus the additional fee that was entered will be shown in the display.

Key Sifar

This key is used to tare the current weight on the scale's platform. Pressing "Sifar" key will make the current displayed weight zero. This is useful when you need to weigh items that are placed in containers (in cases where the weight of the container should not be included). Place the container on the platform and press "Sifar" key. Place the items on the container. The displayed weight on the scale's LCD is the weight of the items only (not including the container).

This key is also useful when the displayed weight becomes negative (even without items on the scale) due to previous tare or due to gravitational changes or interference on the scale's surroundings.


Key (Pertanyaan Serahan/Spc/<--)

This key has two special functions "Spc" and "<--". The "Spc" function is used to enter a space between names, when inputting the name of a Country (e.g., New Zealand). The "<--" function is used to browse backwards through the PS 3000N's database. Once a Country name has been entered alphabetically, it is possible to browse (i.e., in the reverse alphabetical order) from that point through the list of Countries held in the database by pressing this key. Each key depression moves back one Country name.

Key (Serahan Khar/-->)

The "-->" function is used to browse forward through the PS 3000N's databases. When a Country is requested (after pressing the "Cari" key) or after a Country name has been entered, it is possible to browse (i.e., in alphabetical order from that point) through the list of Countries held in the database by pressing this key. Each depression moves forward one country mode.

Key (Sejil Mengepos Benda/Cari)

Whenever a basic service is selected for an international destination, the scale offers the choice of entering the destination zone or code directly (if known) or inputting the name of the country alphabetically by pressing the "Search" key. When the key is pressed the scale displays "Enter NEGERI" enabling the name of the Country to be input using the appropriate alpha keys. Key in the first few letters of the Country alphabetically. You can press the  key to browse forward or press enter. The entered letters will appear on the display together with three items of information about that country, for example:

AUSTRALIA c130 zone C

The letter "c" followed by 3 digits related to the 3 digit code number that has been allocated to the Country concerned.

The word "zone" followed by a letter (A, B, C, D, or E) relates to the destination zone. If the Country shown is the one required, press the "Enter" key. If it is not, then press the "<--" or "-->" keys to browse up or down the list of Countries held in the PS 3000N's database until required Country appears and then press the "Enter" key.

