

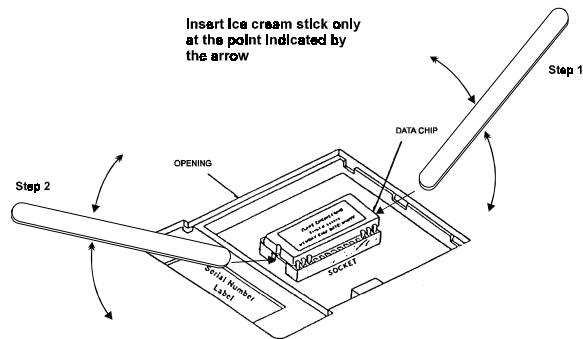
POSTAL CHARGE CHANGES

From time to time, ROYAL MAIL UK changes the postal charges and these charges updates are accounted for by the changing of a data memory chip which can be ordered provided prior to a rate change from your distributor or ELANE ELECTRONICS (Australia) Pty. Ltd.

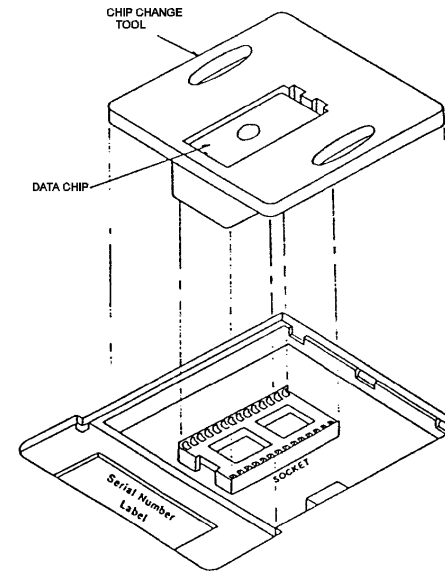
- 1) Please use the enclosed CHIP CHANGE CARRIER with DATA CHIP to update the DATA CHIP from your scale to the latest version.
- 2) CAUTION : Do not remove the NEW DATA CHIP from the CHIP CHANGE CARRIER.
- 3) Our warranty of your scale and new data chip is void if replacement of chip is done without the chip change tool.

INSTRUCTION OF REPLACEMENT OF NEW CHIP

- 1) Unplug the scale and remove the DATA CHIP COVER on the underside of your SE35/PS3000.
- 2) Use the provided wooden stick, a chip extractor or a screw driver to remove the OLD DATA CHIP. Make sure to ONLY grip the chip but not the socket (holder) of the chip.



- 3) Put the clear acrylic CHIP CHANGE CARRIER at the opening area so that the NEW DATA CHIP is over the chip socket (holder) of the scale.
- 4) The narrow side of the CHIP CHANGE CARRIER must be at the SERIAL NUMBER side.
- 5) When the CHIP CHANGE TOOL is sitting smoothly at the opening, gentle press down at the center of the NEW DATA CHIP with your thumb until it totally separates from the CHIP CHANGE CARRIER.



- 6) Remove the CHIP CHANGE CARRIER.
- 7) Replace the DATA CHIP LID.

Your SE35 UK/PS3000 now assesses all your mail at the new rates.

SOFTWARE COPYRIGHT AND LICENSE CONDITIONS

Please read this agreement carefully before using the program. By using the new ELANE datachip, you agree to abide by these terms and applicable copyright laws. If you do not agree, promptly notify the provider of the program and request a refund of the amount you paid.

The program is owned by ELANE ELECTRONICS (AUSTRALIA) Pty. Ltd. and is licensed to the purchaser of the program, not sold.

ELANE grants the purchaser the nonexclusive license for the program.

LICENSE:

Under this license you may use the program on one unit SE35U/PS3000 and may transfer all of your license rights to another party in case of sale or transfer of the complete SE35/PS3000 unit.

You may not:

- 1.) use, copy, merge, or transfer the program except as provided in this agreement.
- 2.) reverse assemble, reverse compile, or otherwise translate the program
- 3.) sublicense, rent or lease the program

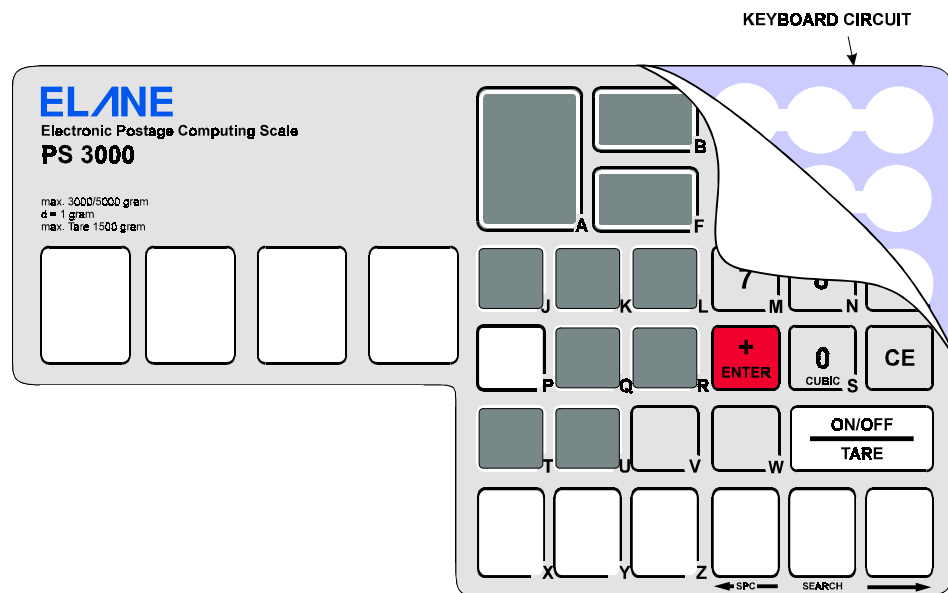
Limitation of Liability:

ELANE will not be liable for any lost profits, lost savings, incidental, special or indirect damages or other economic consequential damages during the use of the SE35/PS3000 and its program.

KEYBOARD OVERLAY CHANGES

Australia Post changes the postal charges as well as the services they are offering from time to time. These changes sometimes affect the keyboard overlay design. To replace the keyboard overlay of the PS3000:

- 1) The keyboard overlay is the thin plastic sheet (similar to the replacement overlay) that is attached to the keyboard circuit.
- 2) Carefully peel off the old overlay on the PS3000 scale, by peeling from the upper left or lower right corner of the overlay. Be sure not to damage the keyboard circuit.
- 3) DO NOT PEEL OFF THE ENTIRE KEYBOARD CIRCUIT.



- 4) Gradually position the replacement overlay over the keyboard circuit. Properly align the buttons on the overlay with that of the keyboard circuit and use the top edge as a guide. After proper alignment gently lower the overlay to the circuit in such a way as to avoid trapped air bubbles underneath.

INSTRUCTIONS HOW TO ORDER THE NEW KEYBOARD OVERLAY

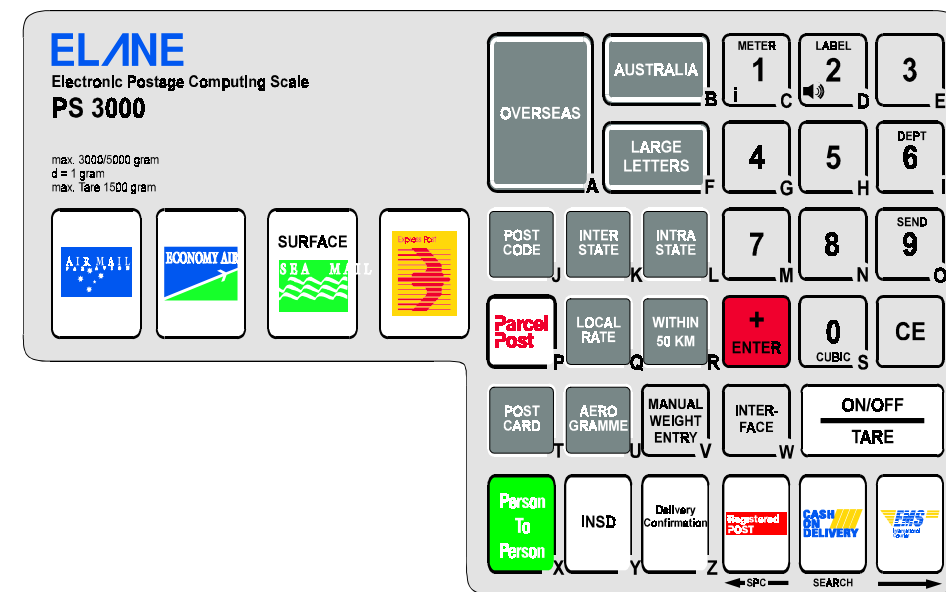
Since the introduction of new services and service name by Australia Post you can upgrade your PS3000 with a new keyboard overlay. The new keyboard overlay has the new keys REGISTERED, PERSON TO PERSON and all other features of the October 1, 1996 postal rate change.

To order, please send a cheque or money order in the amount of A\$10.00 to:

ELANE ELECTRONICS (AUSTRALIA) PTY. LTD.
15 Albert Street #266
Broadbeach, QLD 4218

Please allow 4-6 weeks for delivery. The price includes Tax, Shipping and Handling and you will receive free the latest PS3000 user manual.

NEW PS3000 AUSTRALIA KEYBOARD



SERVICE

To be able to update your about new rate changes or other improvements please mail a note to ELANE (Australia) on your letter head with the SERIAL NUMBER of your scale. If you require service of your ELANE PS3000, please send the scale with all accessories postage paid with a cheque or money order in the amount of A\$75.00 to ELANE and ELANE will replace your scale with a similar model in excellent condition with one week of receipt of your defective scale. This service fee includes all repairs and calibration and return postage, but does not include the cost of replacement of missing parts. The replacement scale will carry a 90 day warranty or will extend your original warranty by 90 days.