

Load Cell Amplifier

DATA SHEET

Specifications

Operating Environment:

Temperature: 0-50 degrees.
Humidity: 30 to 80 percent, non-condensing.

Power Supply Requirements:

Power Supply voltage: 9 volts DC
Operating current: 5mA, plus bridge current.

Bridge Input:

Excitation voltage: 5 volts.
Bridge type: Full Wheatstone Bridge.

Voltage Output Range:

From 0 volts to 4.3 volts.

Potentiometer Function Descriptions:

VR1: Load cell offset adjustment.
VR2: Gain of AMP adjustment.(Gain range 1 to 1000)
VR3: Reference voltage of AMP adjustment.

Wiring Diagram:

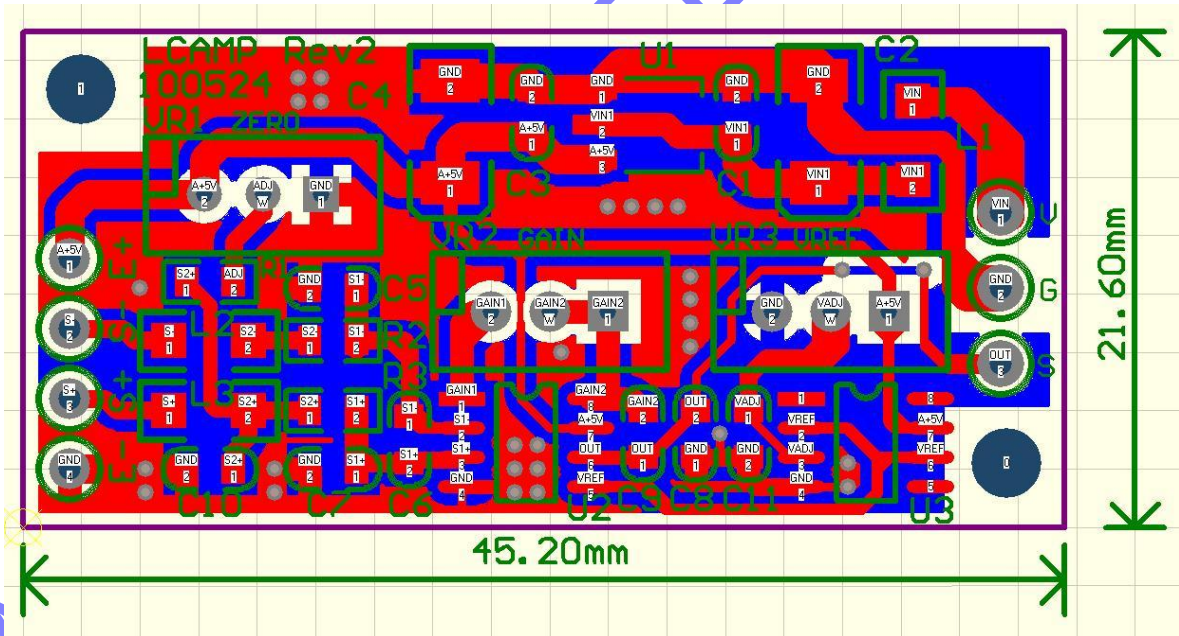
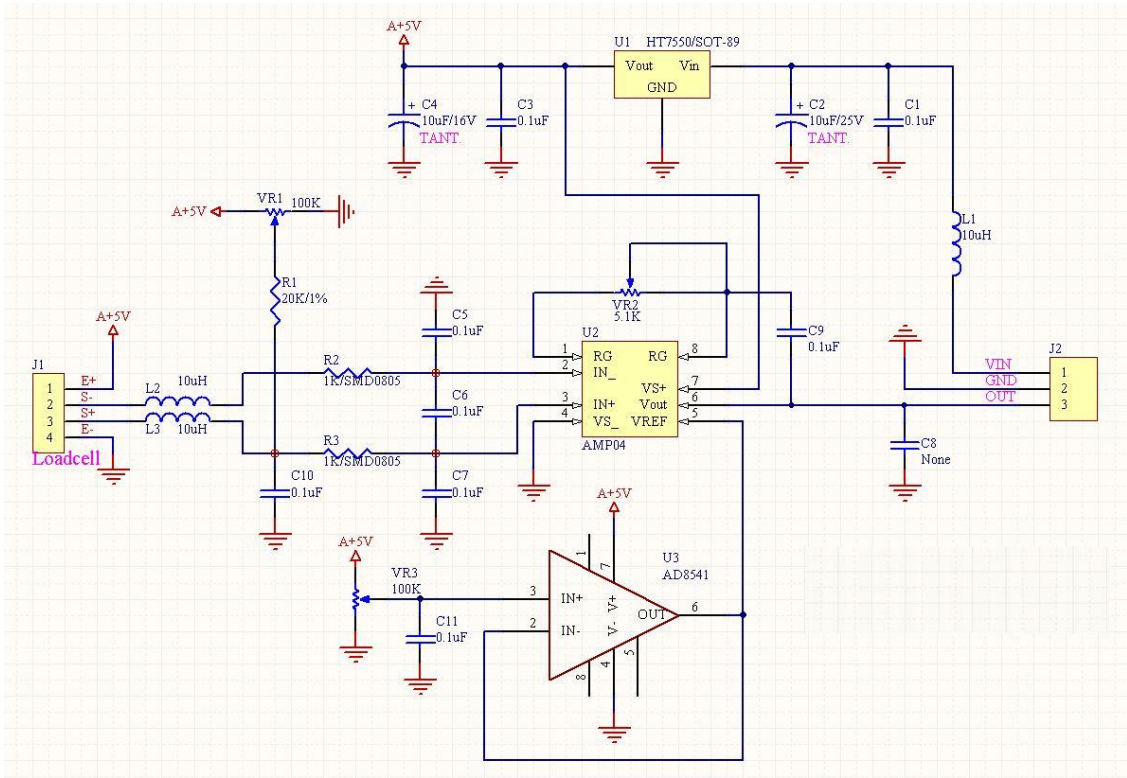
E+ : Load Cell E+
S- : Load Cell S -
S+ : Load Cell S+
E- : Load Cell E-
V : Power Supply +
G : Power Supply- and Signal -
S : Signal +



Load Cell Amplifier Calibration Instructions:

1. Adjust the zero output voltage: Remove all weight from platform and then adjust VR1 or VR3 with screwdriver to the intended value.
2. Adjust the max output voltage: Put full-scale weight on platform and then adjust VR2 with screwdriver to the intended value.

Circuit Schematics



XIX